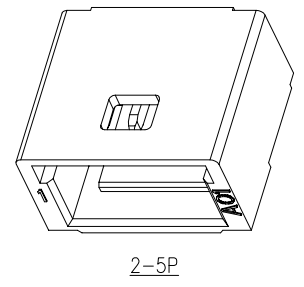
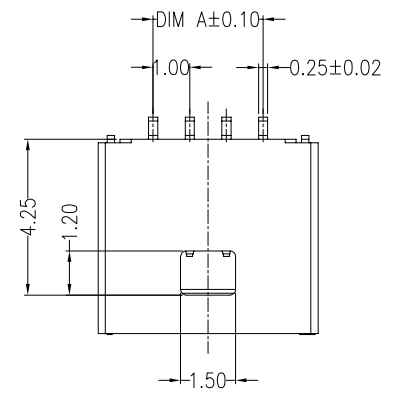
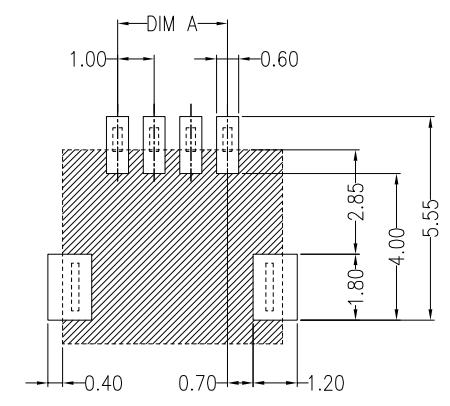
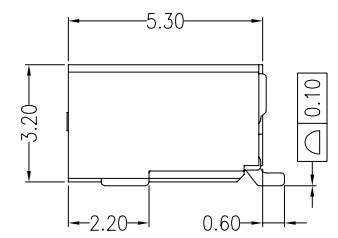
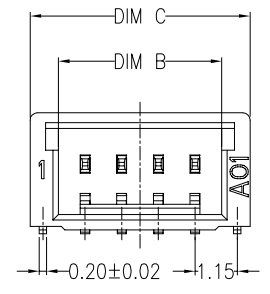


A B C D E F

REV	DESCRIPTION	DESIGN	DATE
A	NEW RELEASE	S.H.Huang	2023.6.24
B	UPDATE DRAWING	S.H.Huang	2025.4.26



CKT	DIM A	DIM B	DIM C
2	1.00	2.45	4.00
3	2.00	3.45	5.00
4	3.00	4.45	6.00
5	4.00	5.45	7.00



PCB Layout

Order Information:

QA1008AWR-**-D1CB1-R
 Part No.:
 No.OF Circuits: 02~15
 Plastic Material: D1C:PA9T UL94V-0
 PLATING:
 B:Matte Tin
 Metal code:
 1:Phosphor Bronze
 Packaging:
 R:Reel

Specifications:

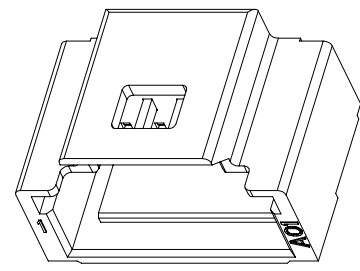
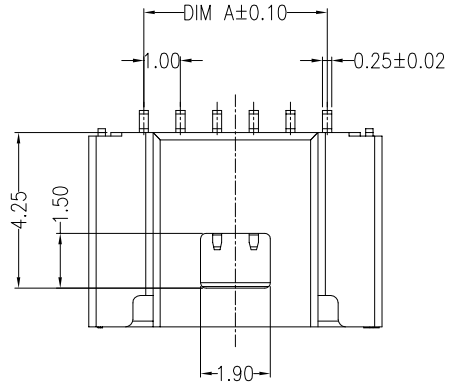
Contact resistance: ≤20mΩ
 Insulation resistance: ≥100MΩ
 Rated voltage: 100V AC/DC
 Rated current: 1A AC/DC
 Withstand Voltage: 300V AC/minute
 Temperature Range: -40°C~+105°C

JKUN 温州健坤接插件有限公司
 WENZHOU JKUN CONNECTOR CO.,LTD.

GENERAL TOLERANCE		USE:	TITLE:
X.X ±0.30	X. ±5°	CUSTOMER	Pitch 1.0 Wafer 90° SMT
X.XX ±0.20	X.X ±2°	APPD: Z.G.Zhu	PART NO.: QA1008AWR-**-D1CB1-R
X.XXX ±0.10	X.XX ±1°	CHKD: X.F.Yan	DWG NO.: JKUN-GCKH-1697
⊕	UNITS: mm	DR: S.H.Huang	SCALE: 5 : 1
			SHEET: 1 / 2

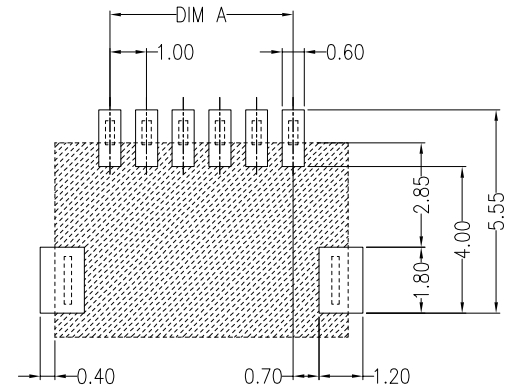
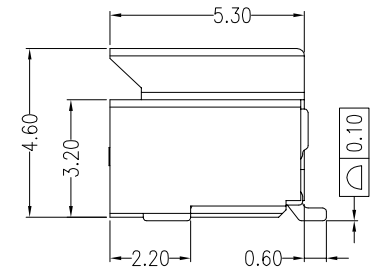
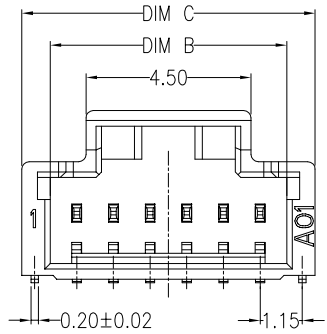
A B C D E F

REV	DESCRIPTION	DESIGN	DATE
A	NEW RELEASE	S.H.Huang	2023.6.24
B	UPDATE DRAWING	S.H.Huang	2025.4.26



6-15P

CKT	DIM A	DIM B	DIM C
6	5.00	6.45	8.00
7	6.00	7.45	9.00
8	7.00	8.45	10.00
9	8.00	9.45	11.00
10	9.00	10.45	12.00
11	10.00	11.45	13.00
12	11.00	12.45	14.00
13	12.00	13.45	15.00
14	13.00	14.45	16.00
15	14.00	15.45	17.00



PCB Layout

Order Information:

QA1008AWR-**-D1CB1-R
 Part No. _____
 No.OF Circuits: 02~15
 Plastic Material: D1C:PA9T UL94V-0
 PLATING: _____
 B:Matte Tin
 Metal code: _____
 1:Phosphor Bronze
 Packaging: _____
 R:Reel

Specifications:

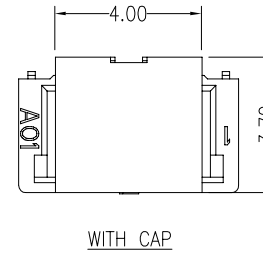
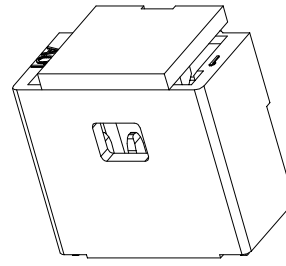
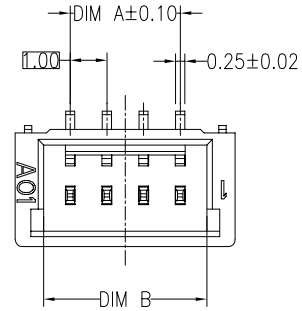
Contact resistance: ≤20mΩ
 Insulation resistance: ≥100MΩ
 Rated voltage: 100V AC/DC
 Rated current: 1A AC/DC
 Withstand Voltage: 300V AC/minute
 Temperature Range: -40°C~+105°C

JKUN 温州健坤接插件有限公司
 WENZHOU JKUN CONNECTOR CO.,LTD.

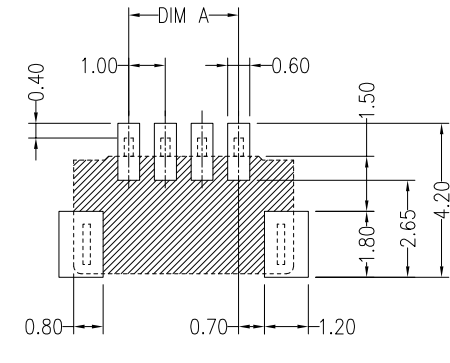
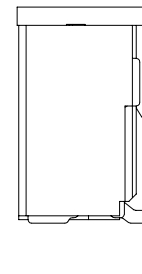
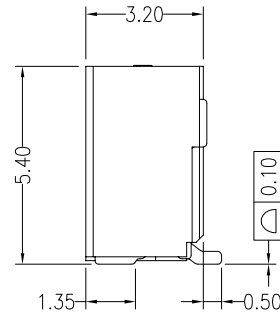
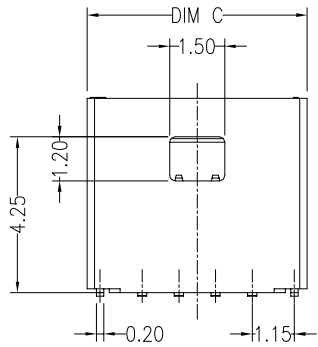
GENERAL TOLERANCE		USE:
X.X ±0.30	X. ±5'	CUSTOMER
X.XX ±0.20	X.X ±2'	APPD: Z.G.Zhu
X.XXX ±0.10	X.XX ±1'	CHKD: X.F.Yan
UNITS: mm		DR: S.H.Huang

TITLE: Pitch 1.0 Wafer 90° SMT	
PART NO.: QA1008AWR-**-D1CB1-R	
DWG NO.: JKUN-GCKH-1697	
SCALE 5 : 1	SHEET 2 / 2

REV	DESCRIPTION	DESIGN	DATE
B	UPDATE DRAWING	S.H.Huang	2025.04.26
C	ADD Gold-Plated Specification	S.H.Huang	2025.08.02



CKT	DIM A	DIM B	DIM C
2	1.00	2.45	4.00
3	2.00	3.45	5.00
4	3.00	4.45	6.00
5	4.00	5.45	7.00



Order Information:

QA1008AWV-**-D1C*1-R-X
 Part No. _____
 No.OF Circuits: 02~15
 Plastic Material: D1C:PA9T UL94V-0
 PLATING: _____
 B:Matte Tin
 C:Gold-Plated 1u"
 Metal code: _____
 1:Phosphor Bronze
 Packaging: _____
 R:Reel
 X:With Cap

Specifications:

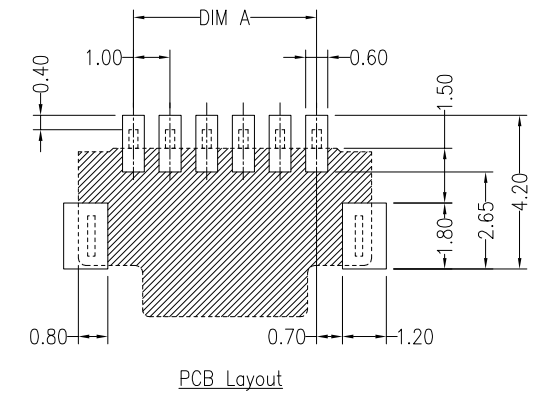
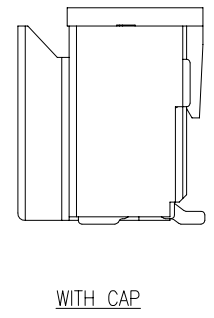
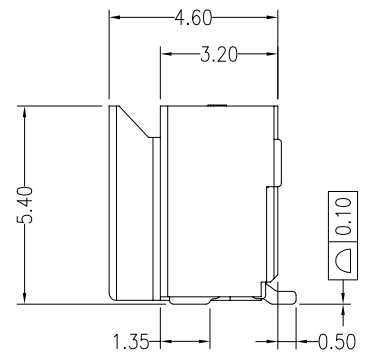
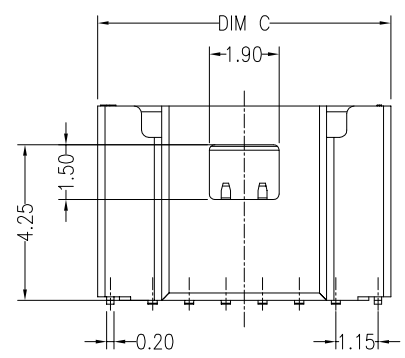
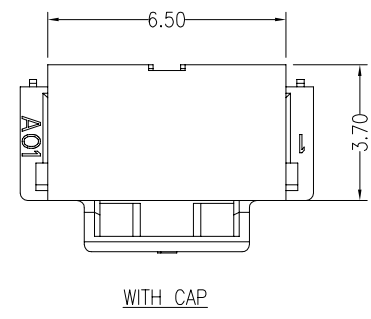
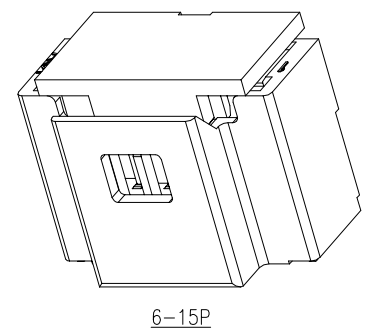
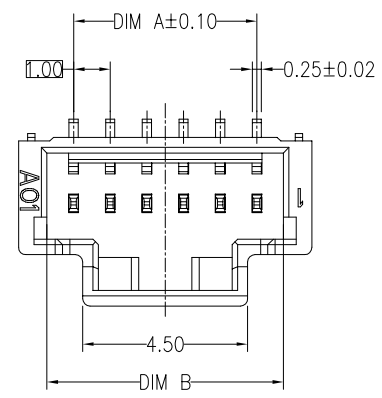
Contact resistance: ≤20mΩ
 Insulation resistance: ≥100MΩ
 Rated voltage: 100V AC/DC
 Rated current: 1A AC/DC
 Withstand Voltage: 300V AC/minute
 Temperature Range: -40°C~+105°C

JKUN 温州健坤接插件有限公司
 WENZHOU JKUN CONNECTOR CO.,LTD.

GENERAL TOLERANCE		USE:	TITLE:
X.X ±0.30	X. ±5°	CUSTOMER	Pitch 1.0 Wafer 180° SMT
X.XX ±0.20	X.X ±2°	APPD: Z.G.Zhu	PART NO.: QA1008AWV-**-D1C*1-R-X
X.XXX ±0.10	X.XX ±1°	CHKD: X.F.Yan	DWG NO.: JKUN-GCKH-1698
		DR: S.H.Huang	SCALE: 5 : 1
UNITS: mm			SHEET: 1 / 2

REV	DESCRIPTION	DESIGN	DATE
B	UPDATE DRAWING	S.H.Huang	2025.04.26
C	ADD Gold-Plated Specification	S.H.Huang	2025.08.02

CKT	DIM A	DIM B	DIM C
6	5.00	6.45	8.00
7	6.00	7.45	9.00
8	7.00	8.45	10.00
9	8.00	9.45	11.00
10	9.00	10.45	12.00
11	10.00	11.45	13.00
12	11.00	12.45	14.00
13	12.00	13.45	15.00
14	13.00	14.45	16.00
15	14.00	15.45	17.00



Order Information:

QA1008AWV-**-D1C*1-R-X
 Part No.
 No.OF Circuits: 02~15
 Plastic Material: D1C:PA9T UL94V-0
 PLATING:
 B:Matte Tin
 C:Gold-Plated 1u"
 Metal code:
 1:Phosphor Bronze
 Packaging:
 R:Reel
 X:With Cap

Specifications:

Contact resistance: ≤20mΩ
 Insulation resistance: ≥100MΩ
 Rated voltage: 100V AC/DC
 Rated current: 1A AC/DC
 Withstand Voltage: 300V AC/minute
 Temperature Range: -40°C~+105°C

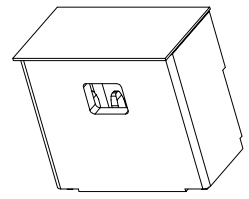
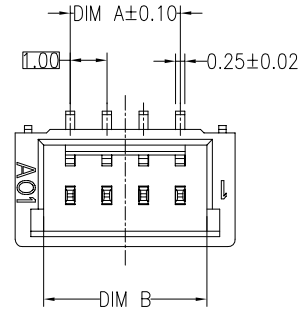
JKUN 温州健坤接插件有限公司
 WENZHOU JKUN CONNECTOR CO.,LTD.

GENERAL	TOLERANCE
X.X	±0.30
X.XX	±0.20
X.XXX	±0.10

USE: CUSTOMER
 APPD: Z.G.Zhu
 CHKD: X.F.Yan
 DR: S.H.Huang

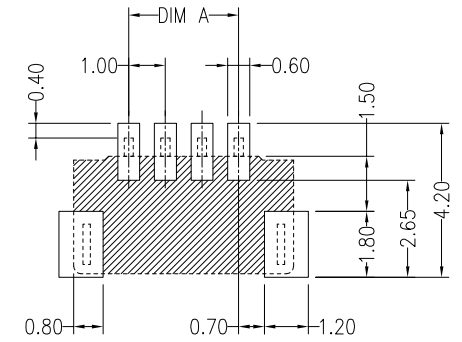
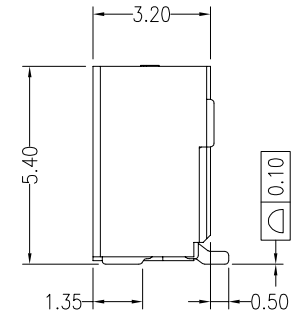
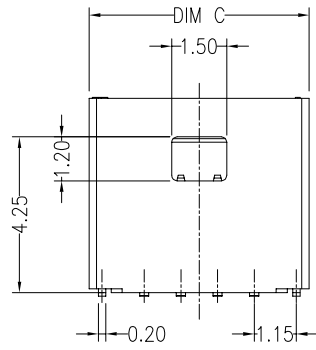
TITLE: Pitch 1.0 Wafer 180° SMT
 PART NO.: QA1008AWV-**-D1C*1-R-X
 DWG NO.: JKUN-GCKH-1698
 SCALE: 5 : 1
 SHEET: 2 / 2

REV	DESCRIPTION	DESIGN	DATE
A	NEW RELEASE	S.H.Huang	2025.8.2



2-5P

CKT	DIM A	DIM B	DIM C
2	1.00	2.45	4.00
3	2.00	3.45	5.00
4	3.00	4.45	6.00
5	4.00	5.45	7.00



PCB Layout

Order Information:

QA1008AWV-**-D1CB1-R-M
 Part No. _____
 No.OF Circuits: 02~15
 Plastic Material: _____
 D1C:PA9T UL94V-0
 PLATING: _____
 B:Matte Tin
 Metal code: _____
 1:Phosphor Bronze
 Packaging: _____
 R:Reel
 M:Mylar

Specifications:

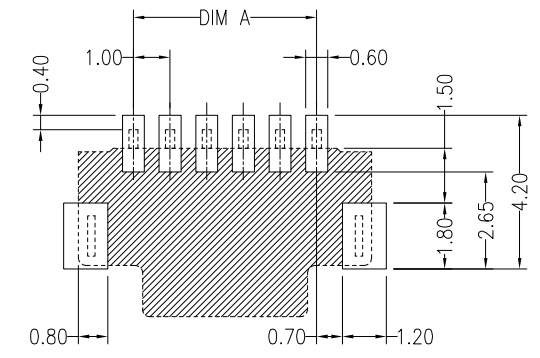
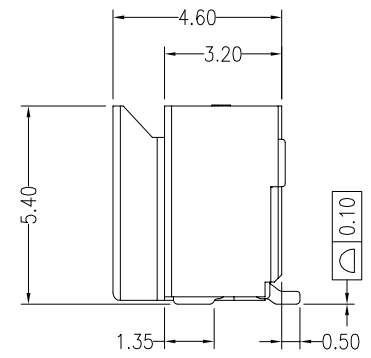
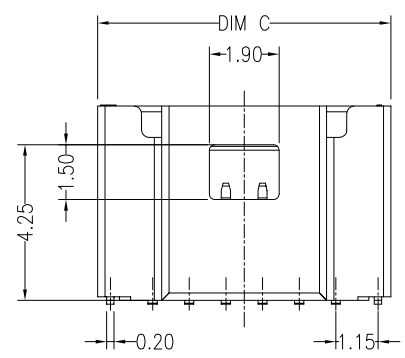
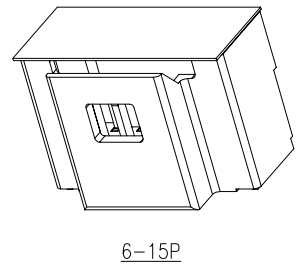
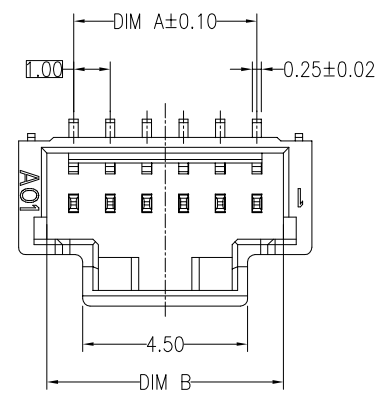
Contact resistance: ≤20mΩ
 Insulation resistance: ≥100MΩ
 Rated voltage: 100V AC/DC
 Rated current: 1A AC/DC
 Withstand Voltage: 300V AC/minute
 Temperature Range: -40°C~+105°C

JKUN 温州健坤接插件有限公司
 WENZHOU JKUN CONNECTOR CO.,LTD.

GENERAL TOLERANCE		USE:	TITLE:
X.X ±0.30	X. ±5°	CUSTOMER	Pitch 1.0 Wafer 180° SMT
X.XX ±0.20	X.X ±2°	APPD: C.Y.Zhu	PART NO.: QA1008AWV-**-D1CB1-R-M
X.XXX ±0.10	X.XX ±1°	CHKD: Z.M.Xue	DWG NO.: JKUN-GCKH-1826
		DR: S.H.Huang	SCALE: 5 : 1
UNITS: mm			SHEET: 1 / 2

REV	DESCRIPTION	DESIGN	DATE
A	NEW RELEASE	S.H.Huang	2025.8.2

CKT	DIM A	DIM B	DIM C
6	5.00	6.45	8.00
7	6.00	7.45	9.00
8	7.00	8.45	10.00
9	8.00	9.45	11.00
10	9.00	10.45	12.00
11	10.00	11.45	13.00
12	11.00	12.45	14.00
13	12.00	13.45	15.00
14	13.00	14.45	16.00
15	14.00	15.45	17.00



Order Information:

QA1008AWV-**-D1CB1-R-M
 Part No. _____
 No.OF Circuits: 02~15
 Plastic Material: _____
 D1C:PA9T UL94V-0
 PLATING: _____
 B:Matte Tin
 Metal code: _____
 1:Phosphor Bronze
 Packaging: _____
 R:Reel
 M:Mylar

Specifications:

Contact resistance: ≤20mΩ
 Insulation resistance: ≥100MΩ
 Rated voltage: 100V AC/DC
 Rated current: 1A AC/DC
 Withstand Voltage: 300V AC/minute
 Temperature Range: -40°C~+105°C

JKUN 温州健坤接插件有限公司
 WENZHOU JKUN CONNECTOR CO.,LTD.

GENERAL TOLERANCE		USE:
X.X ±0.30	X. ±5'	CUSTOMER
X.XX ±0.20	X.X ±2'	APPD: C.Y.Zhu
X.XXX ±0.10	X.XX ±1'	CHKD: Z.M.Xue
UNITS: mm		DR: S.H.Huang

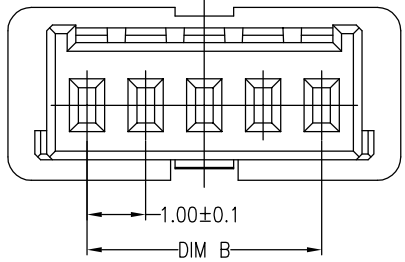
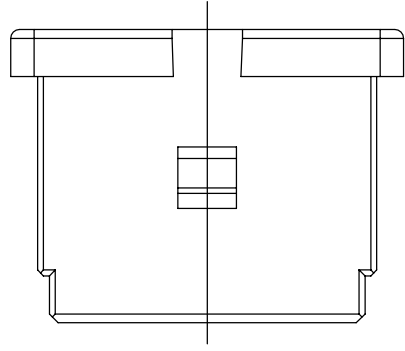
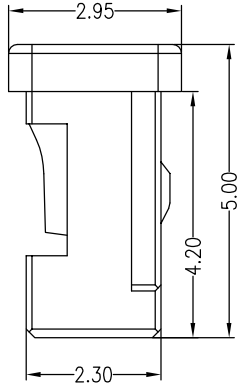
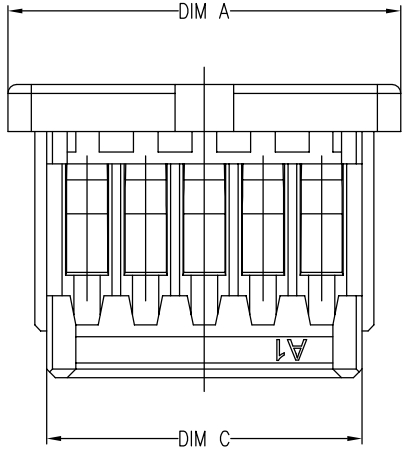
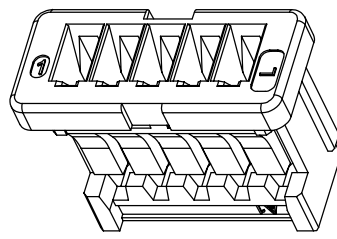
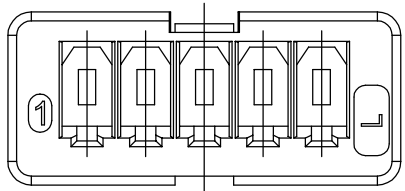
TITLE: Pitch 1.0 Wafer 180° SMT	
PART NO.: QA1008AWV-**-D1CB1-R-M	
DWG NO.: JKUN-GCKH-1826	
SCALE 5 : 1	SHEET 2 / 2

RoHS&HF

REV	DESCRIPTION	DESIGN	DATE
A	NEW RELEASE	Z.M.Xue	2023.06.21
B	UPDATE DRAWING	S.H.Huang	2025.04.01

Specifications:
 Contact resistance: ≤20mΩ
 Insulation resistance: ≥100MΩ
 Rated voltage: 100V AC/DC
 Rated current: 1A AC/DC
 Withstand Voltage: 300V AC/minute
 Temperature Range: -40°C~+105°C

Order Information:
 QA1008Y-**-A7W-P
 Part No. _____
 No.OF Circuits: _____
 02~15
 Plastic Material: _____
 A7W:PA66 UL94V-0
 Packaging: _____
 P:PE Bag



Circuits	Dimensions(mm)		
	A	B	C
2	3.70	1.00	2.40
3	4.70	2.00	3.40
4	5.70	3.00	4.40
5	6.70	4.00	5.40

JKUN 温州健坤接插件有限公司
 WENZHOU JKUN CONNECTOR CO.,LTD.

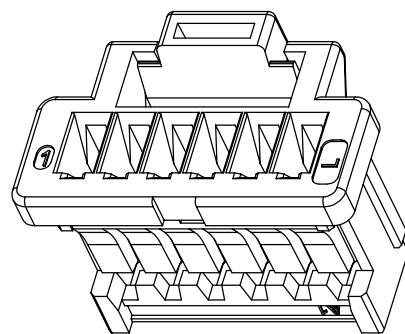
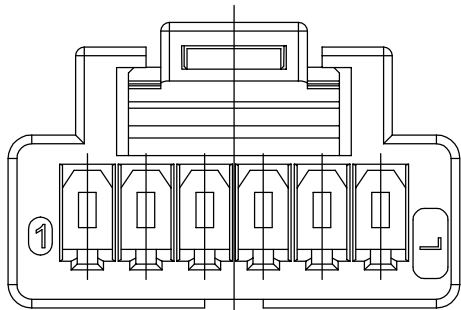
TITLE:
 Pitch1.0 FEMALE CONN.

GENERAL	TOLERANCE	USE:
X.X	±0.30	X. ±5°
X.XX	±0.20	X.X ±2°
X.XXX	±0.10	X.XX ±1°
UNITS: mm		DR: S.H.Huang

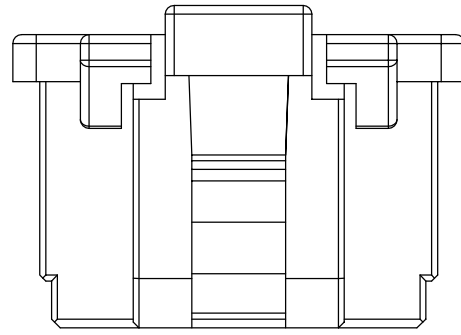
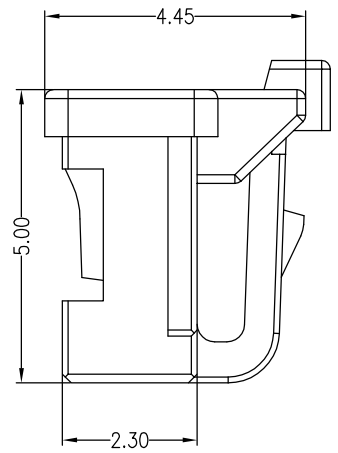
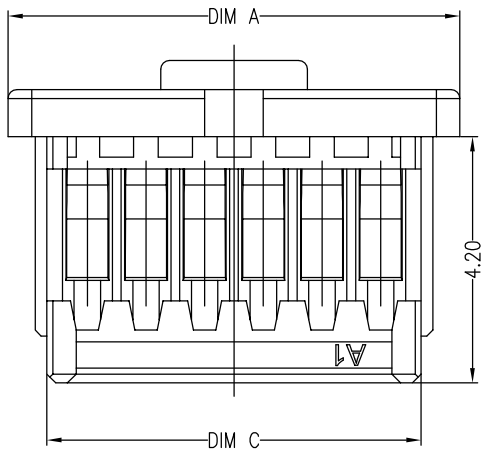
PART NO.:	QA1008Y-**-A7W-P
DWG NO.:	JKUN-GCKH-1623
SCALE	8 : 1
SHEET	1 / 2

RoHS&HF

REV	DESCRIPTION	DESIGN	DATE
A	NEW RELEASE	Z.M.Xue	2023.06.21
B	UPDATE DRAWING	S.H.Huang	2025.04.01

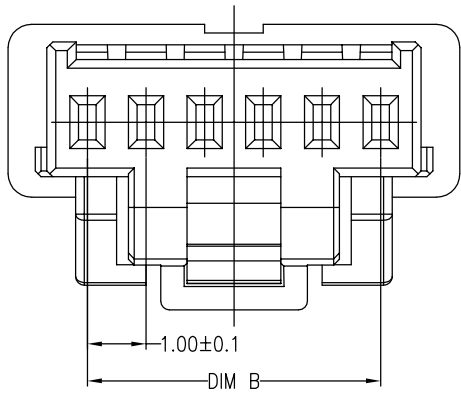


Specifications:
 Contact resistance: ≤20mΩ
 Insulation resistance: ≥100MΩ
 Rated voltage: 100V AC/DC
 Rated current: 1A AC/DC
 Withstand Voltage: 300V AC/minute
 Temperature Range: -40°C~+105°C



Order Information:
 QA1008Y-**-A7W-P
 Part No. _____
 No.OF Circuits: _____
 02~15
 Plastic Material: _____
 A7W:PA66 UL94V-0
 Packaging: _____
 P:PE Bag

Circuits	Dimensions(mm)		
	A	B	C
6	7.70	5.00	6.40
7	8.70	6.00	7.40
8	9.70	7.00	8.40
9	10.70	8.00	9.40
10	11.70	9.00	10.40
11	12.70	10.00	11.40
12	13.70	11.00	12.40
13	14.70	12.00	13.40
14	15.70	13.00	14.40
15	16.70	14.00	15.40

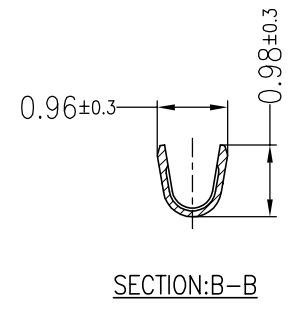
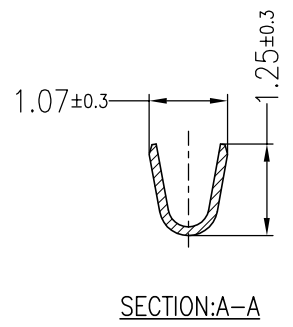
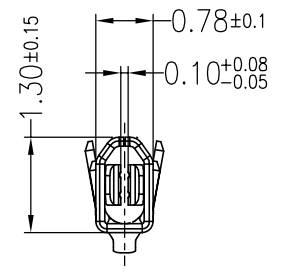
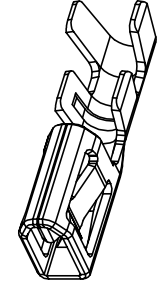
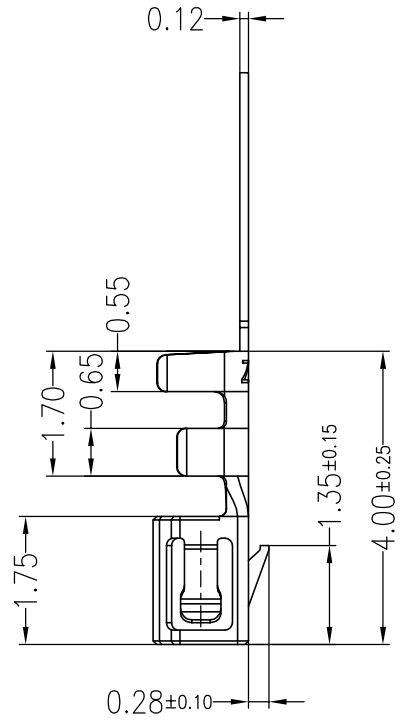
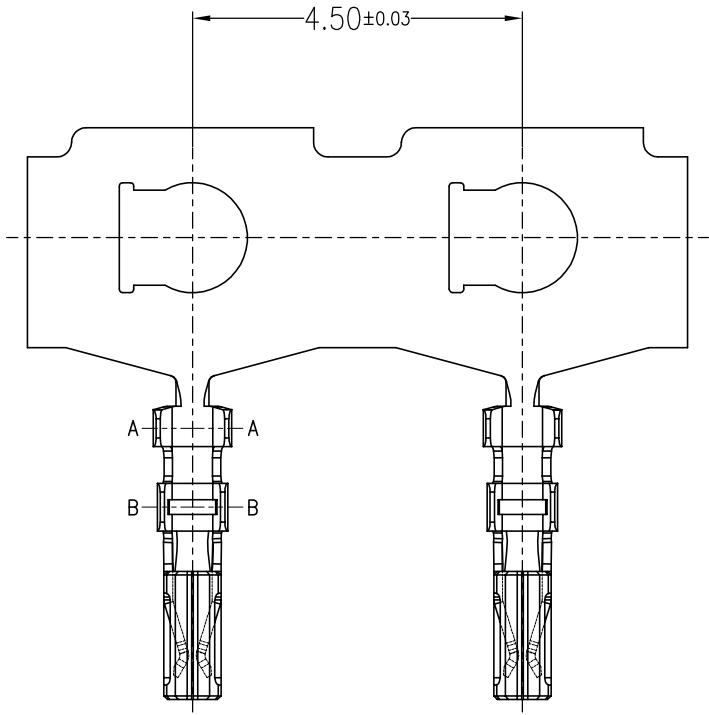


JKUN 温州健坤接插件有限公司
 WENZHOU JKUN CONNECTOR CO.,LTD.

GENERAL TOLERANCE	USE:
X.X ±0.30 X. ±5°	CUSTOMER
X.XX ±0.20 X.X ±2°	APPD: C.Y.Zhu
X.XXX ±0.10 X.XX ±1°	CHKD: X.F.Yan
UNITS: mm	DR: S.H.Huang

TITLE: Pitch1.0 FEMALE CONN.
 PART NO.: QA1008Y-**-A7W-P
 DWG NO.: JKUN-GCKH-1623
 SCALE: 8 : 1 SHEET: 2 / 2

REV	DESCRIPTION	DESIGN	DATE
A	NEW RELEASE	Z.M.Xue	2023/04/28



Ordering Information & Specification:

Part No	Wire Range	Insulation O.D.	Material	Finish	Qty/Reel
A1008T-01	AWG #28~#32	0.8mm MAX	Phosphor bronze	Gold Flash	

JKUN 温州健坤接插件有限公司 WENZHOU JKUN CONNECTOR CO.,LTD.			TITLE: 1.00mm PITCH Terminal		
GENERAL TOLERANCE		USE:	PART NO.:		
X.X ±0.30	X. ±5'	CUSTOMER	A1008T-01		
X.XX ±0.20	X.X ±2'	APPD:	DWG NO.:		
X.XXX ±0.10	X.XX ±1'	ZHUZHIGANG	JKUN-GCDZ-0113		
⊕	UNITS:	CHKD:	SCALE		SHEET
mm	DR:	Yan Peng	10 : 1		1 / 1
	Z.M.Xue				